

# CAPITOL FOUNDRY OF VA, INC.

2856 CRUSADER CIRCLE  
VIRGINIA BEACH, VA 23453

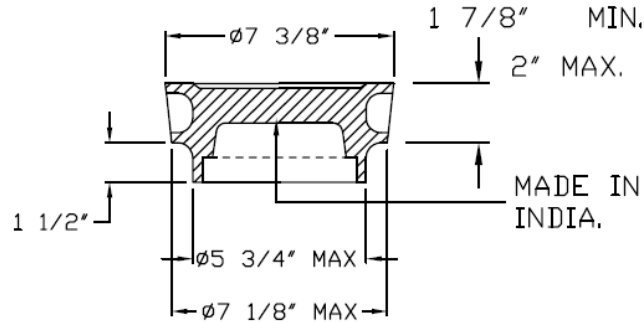
PHONE: (757) 427-9431

FAX: (757) 427-9308

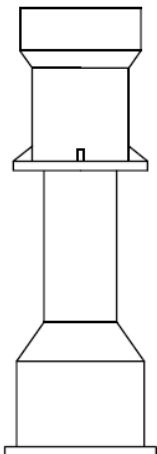
www.capitolfoundry.net



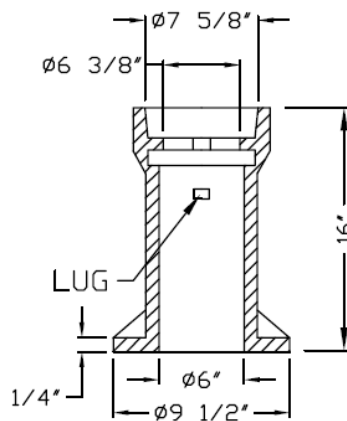
## HVY. LID



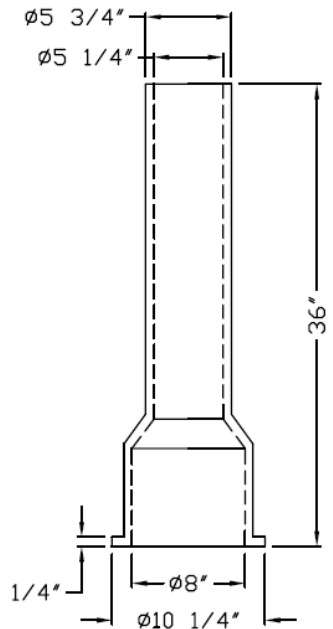
## SECTION VIEW



COMPLETE



TOP SECTION OF  
LOCKING VALVE BOX



BOTTOM SECTION

ANNE ARUNDEL COUNTY VALVE BOX & LID

MATERIAL SPEC: ASTM A-48 CLASS 35B

ITEM # 564A\*AA