

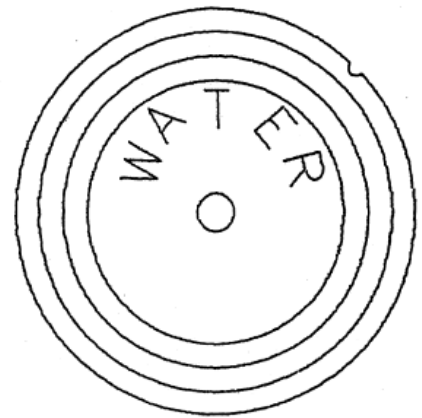
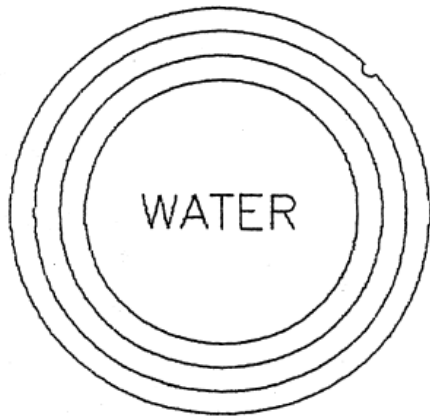
CAPITOL FOUNDRY OF VA, INC.

2856 CRUSADER CIRCLE
VIRGINIA BEACH, VA 23453

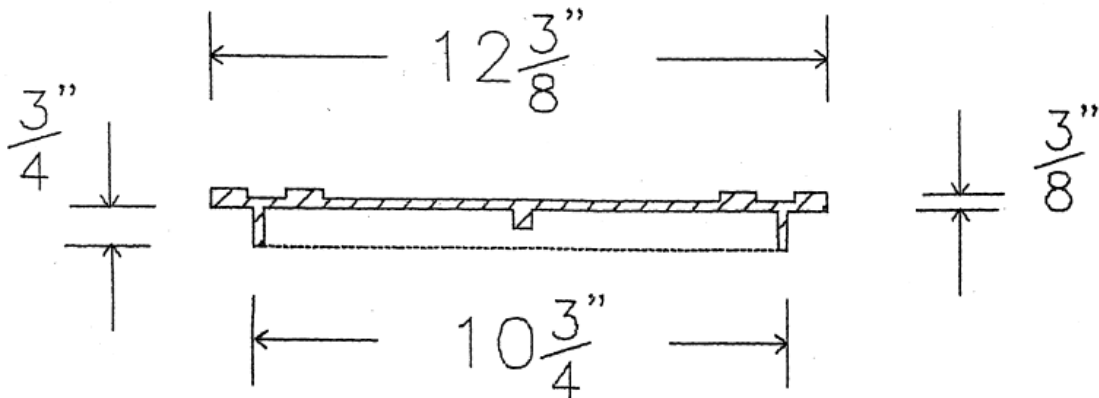
PHONE: (757) 427-9431

FAX: (757) 427-9308

www.capitolfoundry.net



(WITH 1 3/4" HOLE)



SOLID=MBX-148*

TR HOLE=MBX-147*

BROOKS STYLE 2200 METER BOX LID (FOR PLASTIC BOX)

MATERIAL SPEC: ASTM A-48 CLASS 35B

ITEM #MBX-148* / MBX-147*