

CAPITOL FOUNDRY OF VA, INC.

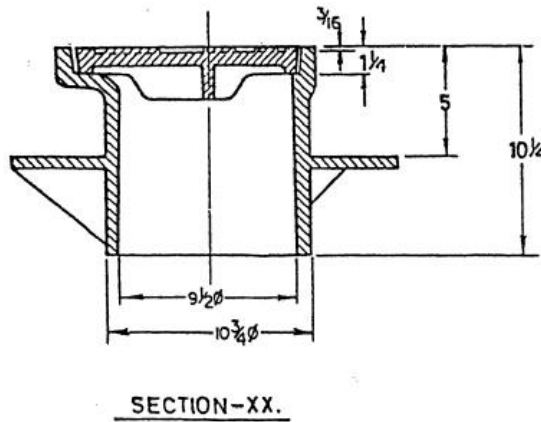
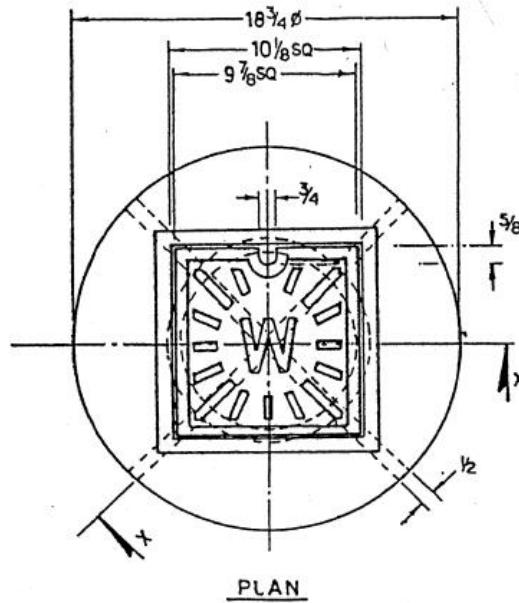
2856 CRUSADER CIRCLE
VIRGINIA BEACH, VA 23453

PHONE: (757) 427-9431

FAX: (757) 427-9308

www.capitolfoundry.net

LID AVAILABLE MARKED
'HRSD', 'S', OR 'W'



CITY OF NORFOLK LARGE 8" VALVE BOX & LID

MATERIAL SPEC: ASTM A-48 CLASS 35B

ITEM #CS-5*