

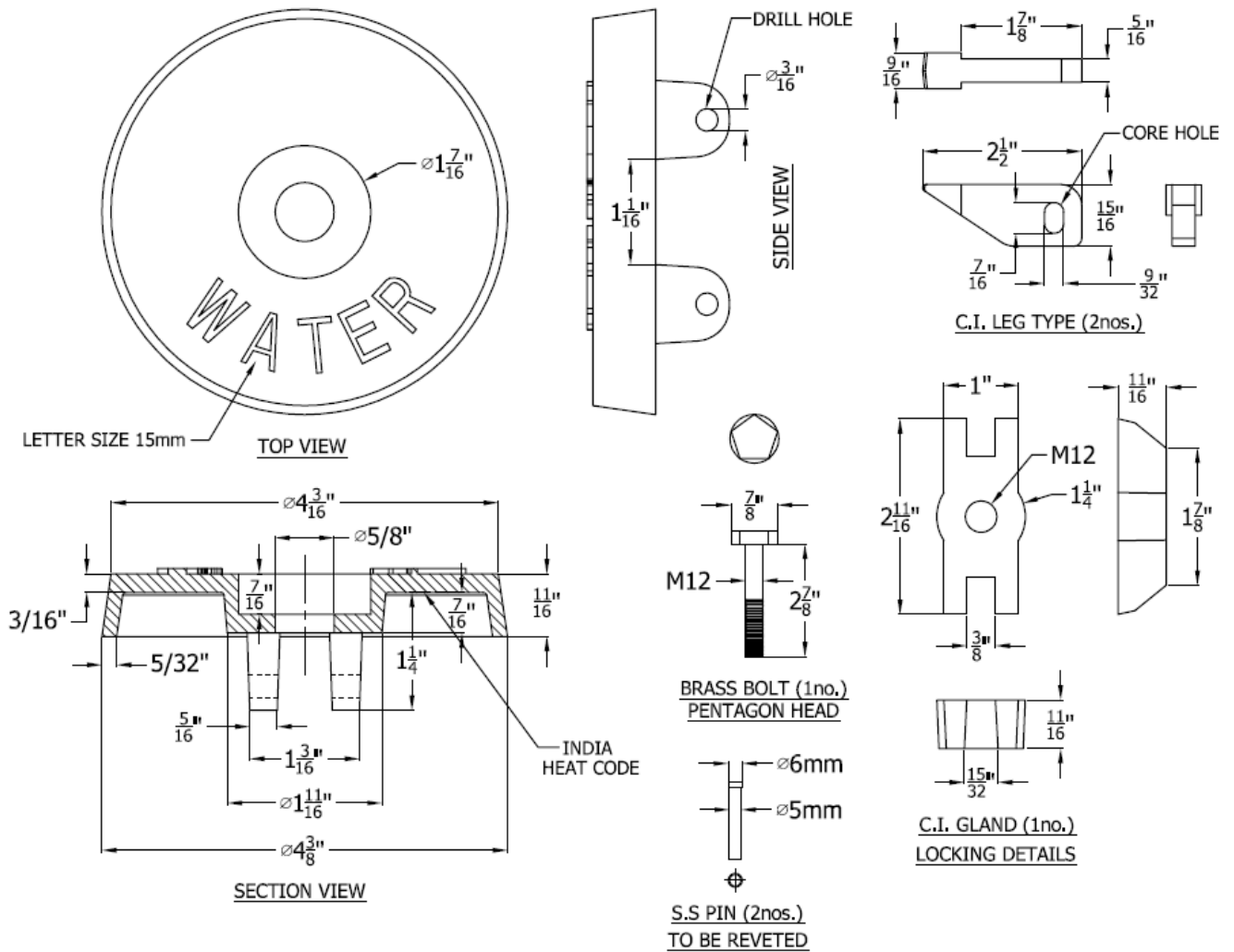
# CAPITOL FOUNDRY OF VA, INC.

2856 CRUSADER CIRCLE  
 VIRGINIA BEACH, VA 23453

PHONE: (757) 427-9431

FAX: (757) 427-9308

www.capitolfoundry.net



## STANDARD CURB (SERVICE) BOX REPAIR LID

MATERIAL SPEC: ASTM A-48 CLASS 35B

ITEM #VB-92D-C-REP