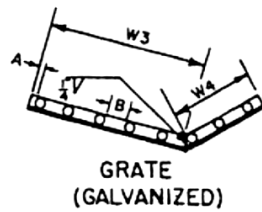
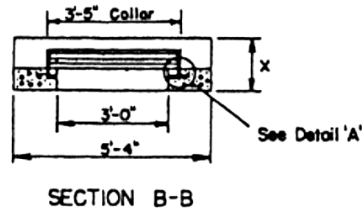
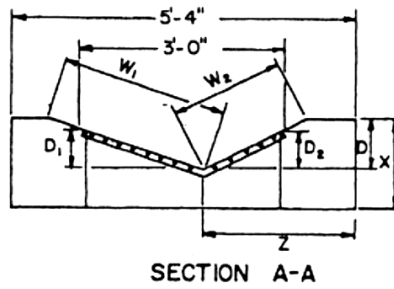
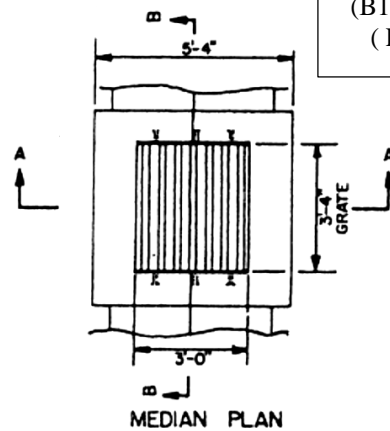
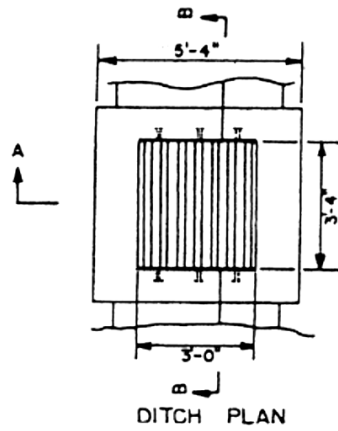


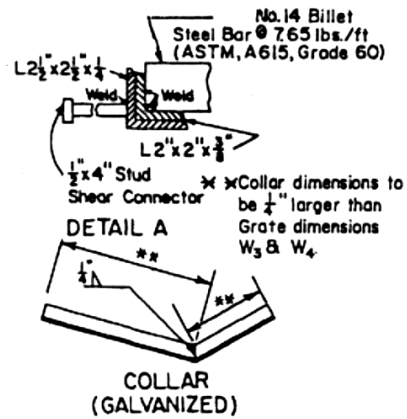
CAPITOL FOUNDRY OF VA, INC.

2856 CRUSADER CIRCLE
 VIRGINIA BEACH, VA 23453
 PHONE: (757) 427-9431
 FAX: (757) 427-9308
 www.capitolfoundry.net

STYLES AVAILABLE:
 (A1, A2) TYPE I & III
 (B1, B2) TYPE I & III
 (E) TYPE I & III



* Tolerance $\frac{1}{2} \pm$



MADE IN USA

FRAME SPEC: ASTM A709 GRADE 36
 GALVANIZING SPEC: ASTM A123

VDOT DI-5 GALVANIZED STEEL GRATE & FRAME

MATERIAL SPEC: ASTM A615 GRADE 60

ITEM #DI-5*