

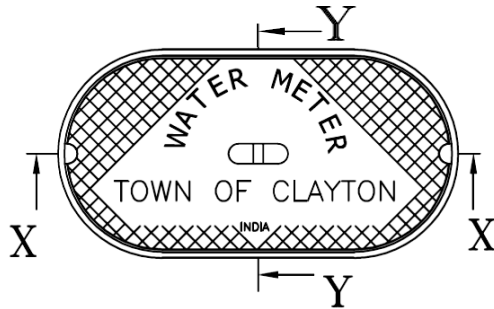
CAPITOL FOUNDRY OF VA, INC.

2856 CRUSADER CIRCLE
VIRGINIA BEACH, VA 23453

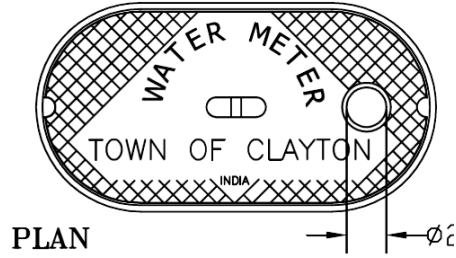
PHONE: (757) 427-9431

FAX: (757) 427-9308

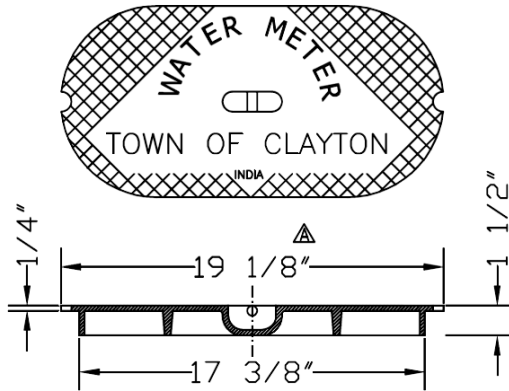
www.capitolfoundry.net



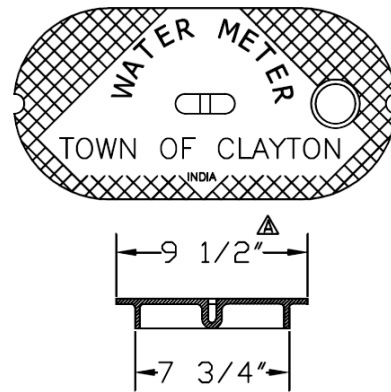
PLAN



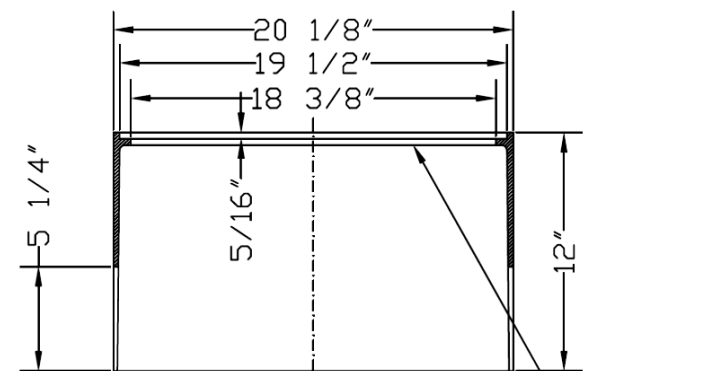
PLAN



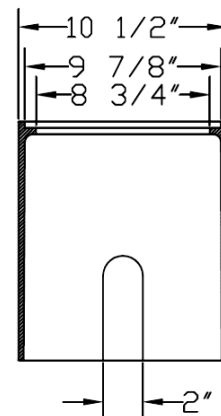
LID (SECTION-XX)



LID (SECTION-XX)



BODY (SECTION-XX)



BODY (SECTION-XX)

TOWN OF CLAYTON METER BOX & LID

MATERIAL SPEC: ASTM A-48 CLASS 35B

ITEM # MBX-1*TC