

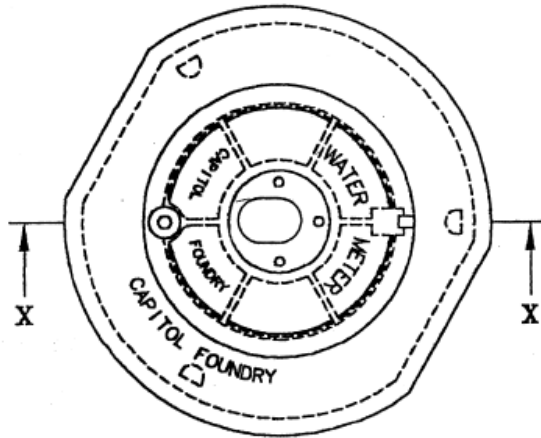
CAPITOL FOUNDRY OF VA, INC.

2856 CRUSADER CIRCLE
VIRGINIA BEACH, VA 23453

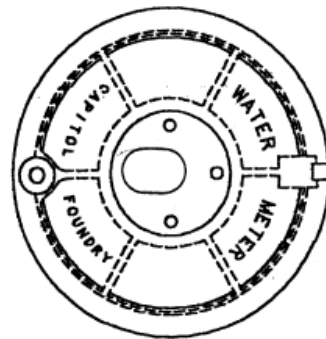
PHONE: (757) 427-9431

FAX: (757) 427-9308

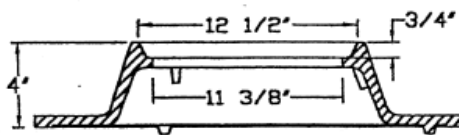
www.capitolfoundry.net



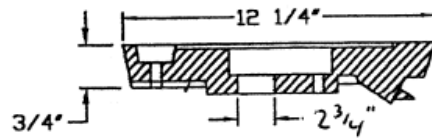
PLAN



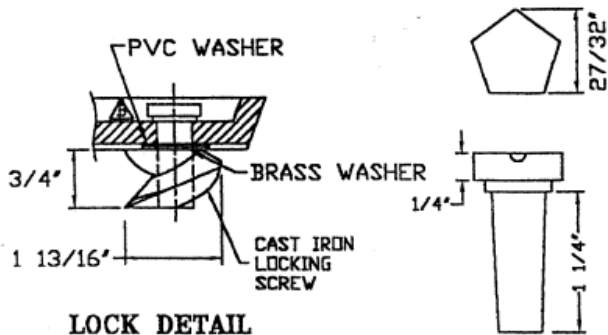
COVER PLAN



SECTION-XX



COVER SECTION



LOCK DETAIL

BRASS BOLT

PRINCE WILLIAM COUNTY METER BOX & LID

MATERIAL SPEC: ASTM A-48 CLASS 35B

ITEM #MBX-A32*PW