

CAPITOL FOUNDRY OF VA, INC.

2856 CRUSADER CIRCLE
VIRGINIA BEACH, VA 23453

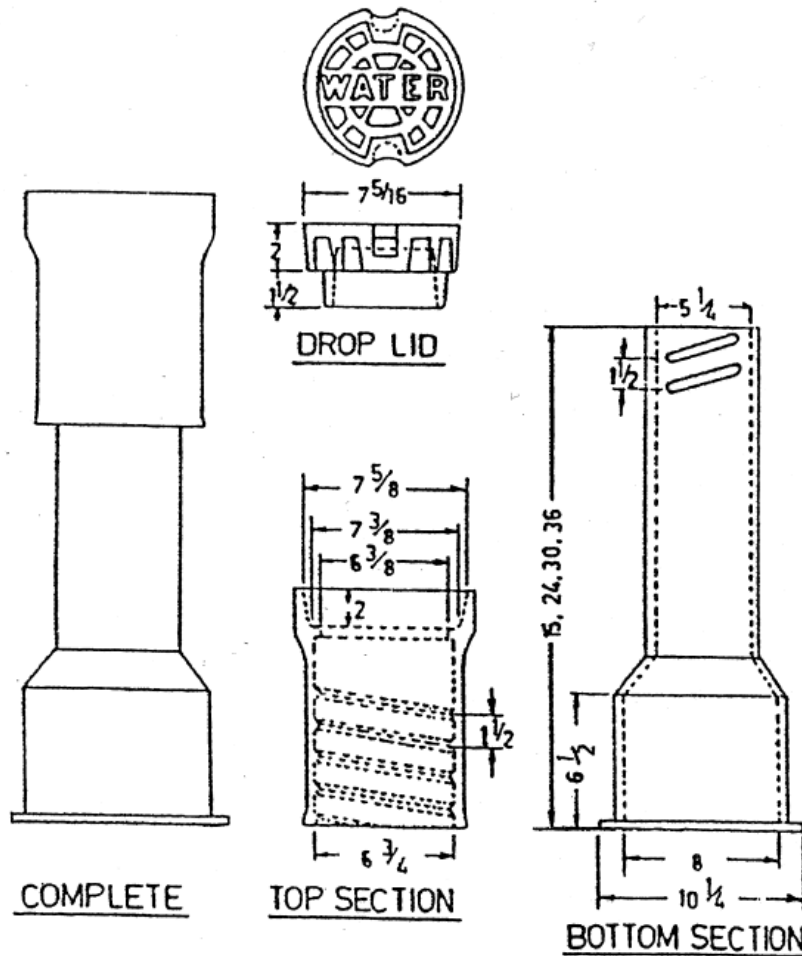
PHONE: (757) 427-9431

FAX: (757) 427-9308

www.capitolfoundry.net

PART #	USEABLE LENGTH	TOP SECT. LENGTH	BOT. SECT. LENGTH
461S*	19"-22"	10"	15"
562S*	27"-37"	16"	24"
564S*	39"-50"	16"	36"
664S*	39"-60"	26"	36"

LID AVAILABLE MARKED
'GAS', 'SEWER', OR 'WATER'



STANDARD TWO PIECE SCREW TYPE VALVE BOX & LID

MATERIAL SPEC: ASTM A-48 CLASS 35B

ITEM #SEE ABOVE