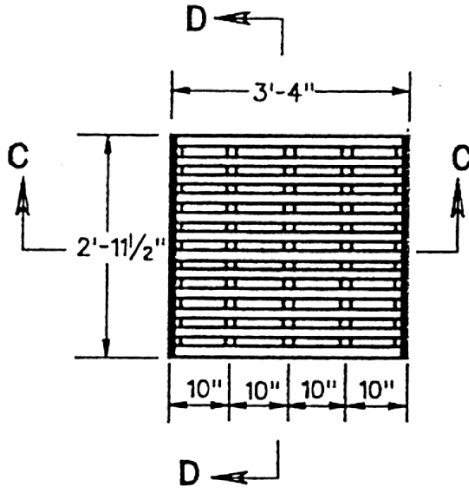
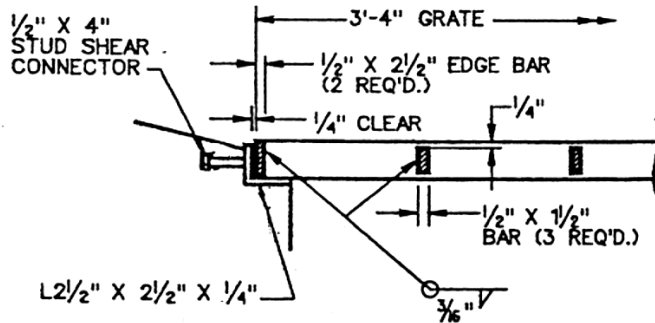


CAPITOL FOUNDRY OF VA, INC.

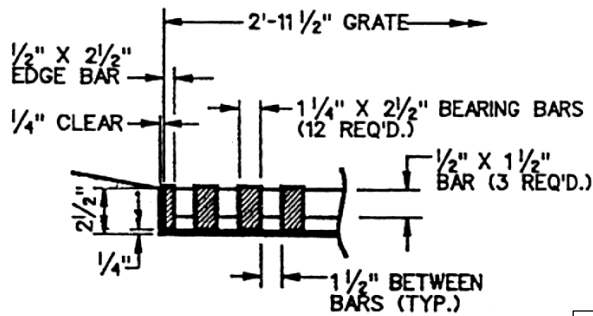
2856 CRUSADER CIRCLE
VIRGINIA BEACH, VA 23453
PHONE: (757) 427-9431
FAX: (757) 427-9308
www.capitolfoundry.net



GRATE B



PARTIAL SECTION C-C



MADE IN USA

GALVANIZING SPEC
ASTM A123

VDOT DI-7 GALVANIZED STEEL LOAD BEARING GRATE & FRAME

MATERIAL SPEC: ASTM A-48 CLASS 35B

ITEM #TDI-7*