

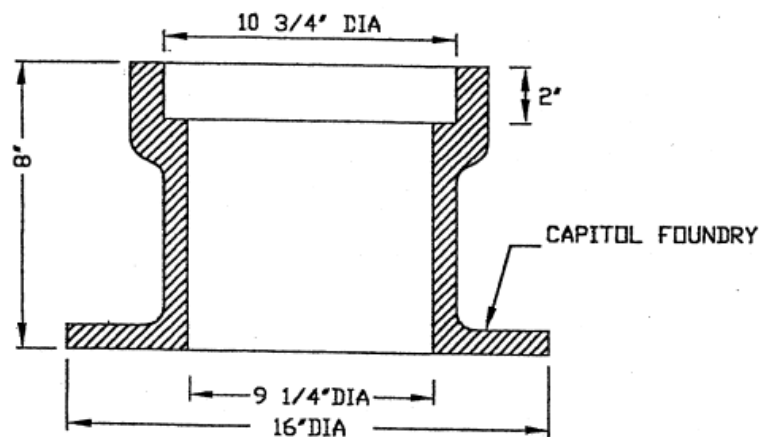
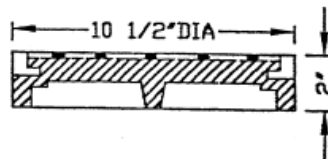
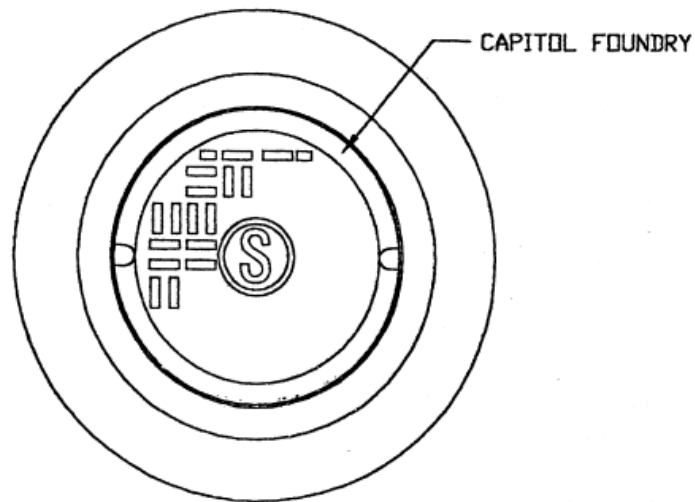
# CAPITOL FOUNDRY OF VA, INC.

2856 CRUSADER CIRCLE  
VIRGINIA BEACH, VA 23453

PHONE: (757) 427-9431

FAX: (757) 427-9308

[www.capitolfoundry.net](http://www.capitolfoundry.net)



STANDARD TRAFFIC BEARING CLEANOUT BOX & LID (LAMPHOLE)

MATERIAL SPEC: ASTM A-48 CLASS 35B

ITEM #VB-9\*S