

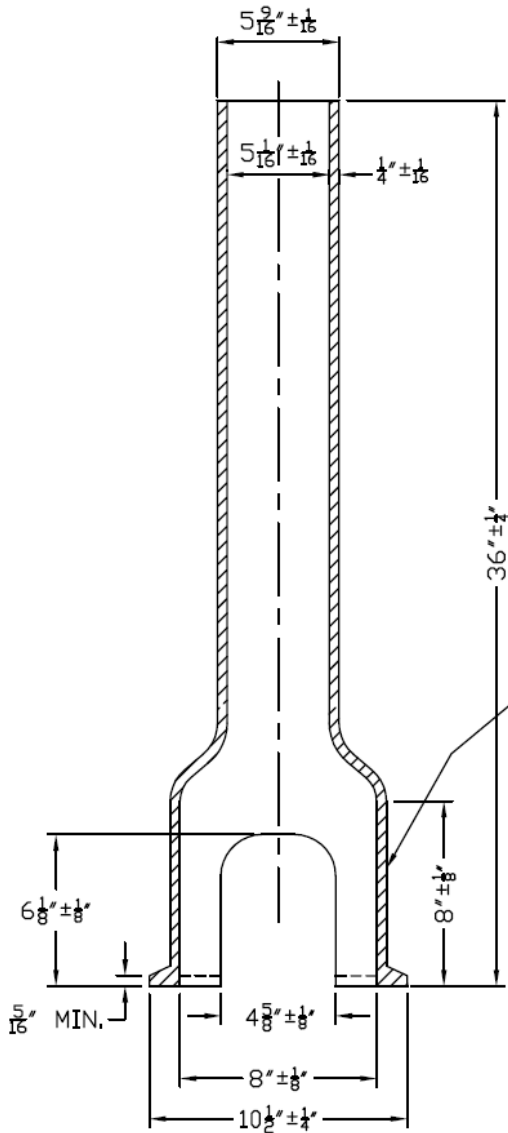
# CAPITOL FOUNDRY OF VA, INC.

2856 CRUSADER CIRCLE  
VIRGINIA BEACH, VA 23453

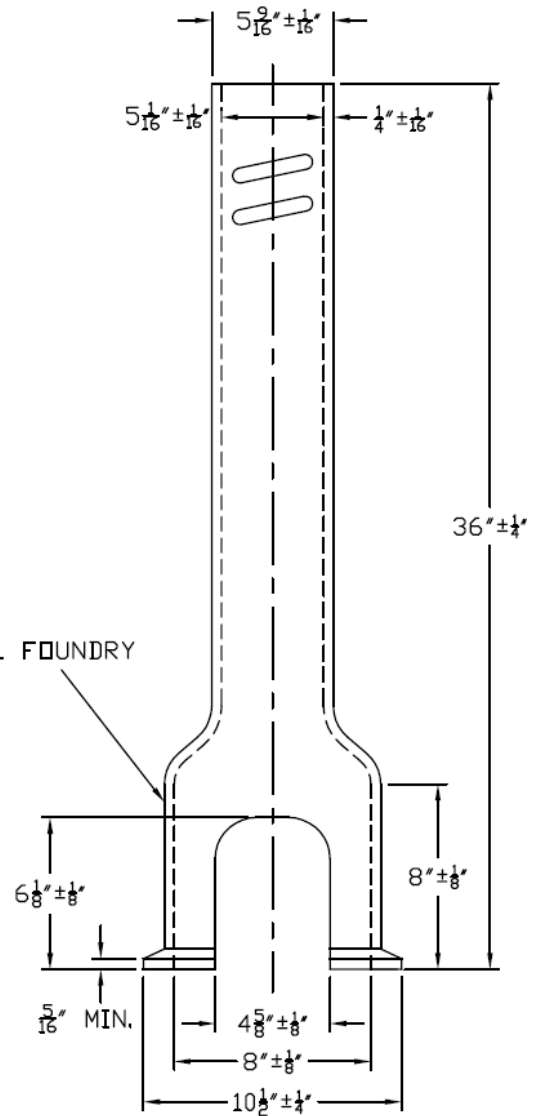
PHONE: (757) 427-9431

FAX: (757) 427-9308

www.capitolfoundry.net



**BOTTOM SECTION  
(SLIP TYPE)**



**BOTTOM SECTION  
(SCREW TYPE)**

**36" ARCHED VALVE BOX BOTTOM SECTION**

**MATERIAL SPEC: ASTM A-48 CLASS 35B**

**ITEM # VB-WSSC-AB**