

CAPITOL FOUNDRY OF VA, INC.

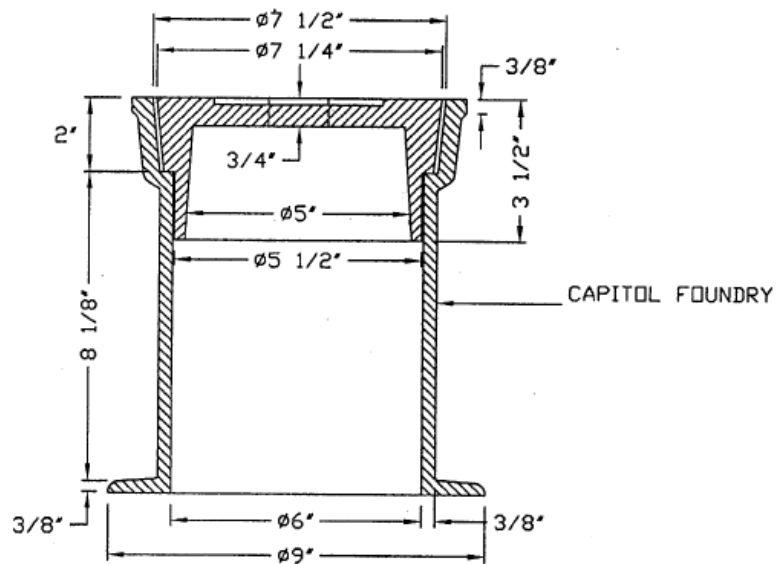
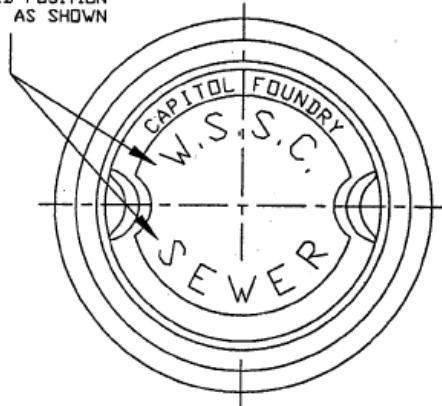
2856 CRUSADER CIRCLE
VIRGINIA BEACH, VA 23453

PHONE: (757) 427-9431

FAX: (757) 427-9308

www.capitolfoundry.net

LETTERING TO BE
CAST FLUSH WITH
TOP OF LID POSITION
AS SHOWN



STANDARD WSSC CLEANOUT BOX & LID

MATERIAL SPEC: ASTM A-48 CLASS 35B

ITEM #WSSC-CO*